

# Emergency lighting discharge test Multi 9 Merlin Gerin

The Emergency Light test kits are designed to perform discharge test on emergency lighting installations. According to AS/NZS 2293.1 clause 4.2., facility for a discharge test must be installed on both existing and new emergency lighting installations. The Multi 9 Merlin Gerin test kits are completely pre-wired to provide an "off the shelf" solution to emergency light discharge test requirements.

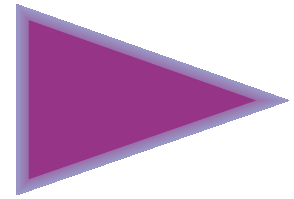
## Operation

Engaging the selector switch to the "test" position will start the timer (2hrs factory setting)\*. During this time the contactors coils are energised - opening the normally closed contacts. While the contacts remain open, power supply to the normal lighting circuits are cut. The simulated power failure initiates the discharge test operation of the emergency lighting. Duration of the test operation is set by the timer and can be reset mid cycle via the selector switch.

## Features

Reference	Characteristics
<b>PBELSAKIT</b>	<b>Stand Alone Unit</b> <ul style="list-style-type: none"> <li>- 8 pole surface mount enclosure (IP30)</li> <li>- 4 N/C contactor, 25A/240Vac</li> <li>- 3 position keylockable *selector switch (2 keys supplied)</li> <li>- test in operation indicator (green)</li> <li>- emergency lighting label*</li> <li>- green marker strip for marked circuits</li> <li>- delay timer 0.1-10hrs (2hrs factory setting)*</li> </ul>
<b>PBELKIT 4 (4N/C)</b> <b>PBELKIT 2 (2N/C)</b>	<b>MB / MD Panelboard Add On Kits</b> <ul style="list-style-type: none"> <li>- 4 N/C or 2 N/C contactor 25A/240Vac</li> <li>- 3 position selector switch</li> <li>- emergency lighting label*</li> <li>- green marker strip for marked circuits</li> <li>- delay timer 0.1-10hrs (2hrs factory setting)*</li> <li>- auxiliary bracket</li> </ul>

\* complies to AS/NZS 2293.1



PBELSAKIT



PBELKIT2 / PBELKIT4



## SELECTION

■ The stand alone unit PBELSAKIT is suitable for independent installation outside existing panel board where space inside the board is limited. According to clause 4.3 of AS/NZS 2293.1 the stand alone unit is equipped with key lockable switch to ensure controlled operation at all times.

■ The add on kits PBELKIT2 / PBELKIT4 are suitable for installation inside any panel boards equipped with DIN rail mounting. These kits have been designed to fit directly into the auxiliary rail of Merlin Gerin MB & MD range of panel boards (see Fig. 1 & Fig. 2).

## INSTALLATION & WIRING RECOMMENDATION

- Affix emergency lighting label on panel board escutcheon.
- Connect kit/unit as per wiring diagram (supplied).
- Circuit breaker Q1, L1-L4 are not supplied.
- Mark circuit breaker L1-L4 with green marker strip provided (see Fig. 3).
- It is recommended that the emergency lighting discharge test unit/kit is connected on the same phase as surrounding normal lighting.



Fig 1. PBELKIT2 / PBELKIT4

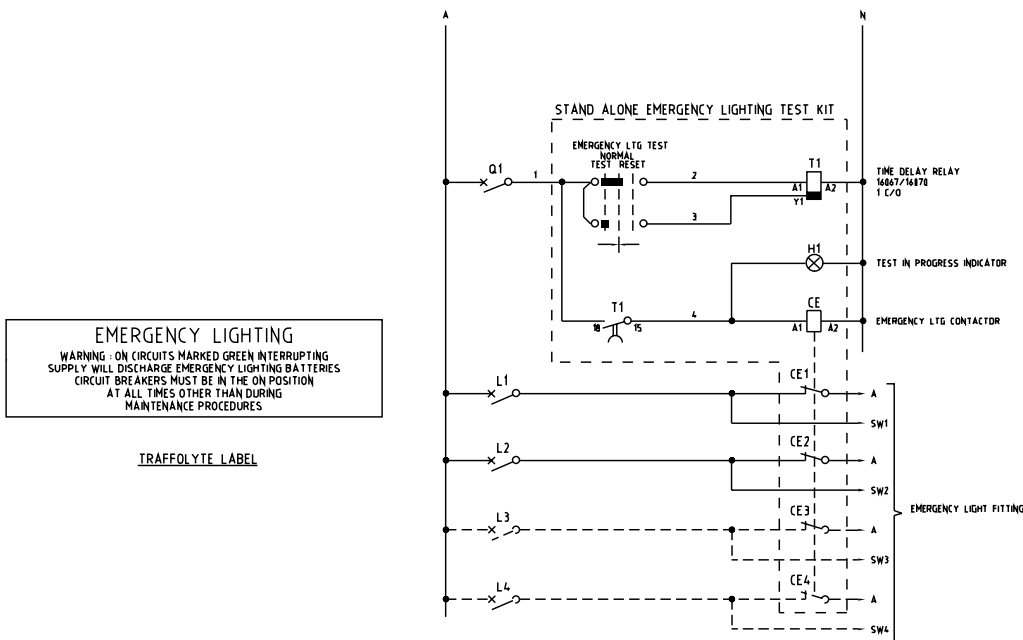


Fig 2. PBELKIT2 / PBELKIT4



Fig 3. Marked Circuit

## CIRCUIT & WIRING DIAGRAM



**SCHNEIDER ELECTRIC HELP CENTRE**

Tel: 1300 369 233

Fax: 1300 369 288

Email: [help@schneider.com.au](mailto:help@schneider.com.au)

[www.schneider-electric.com.au](http://www.schneider-electric.com.au)

AUS01PL45-A